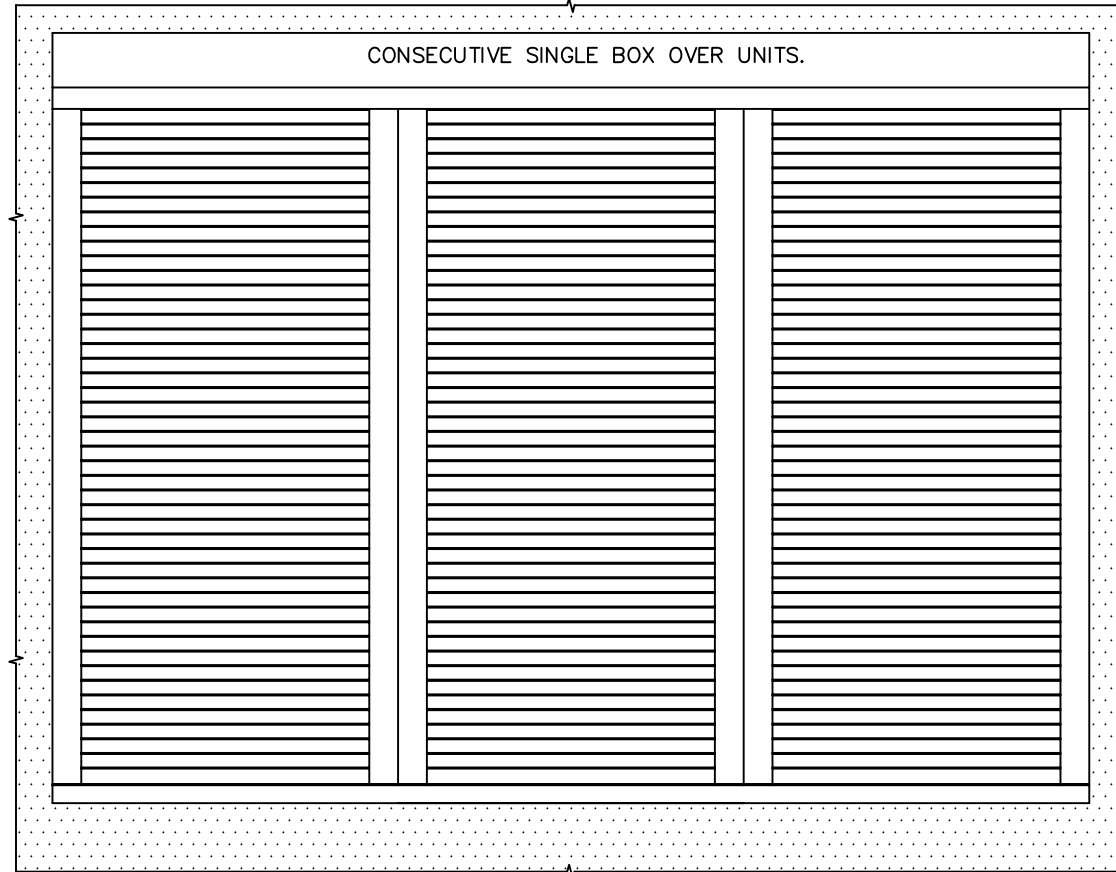
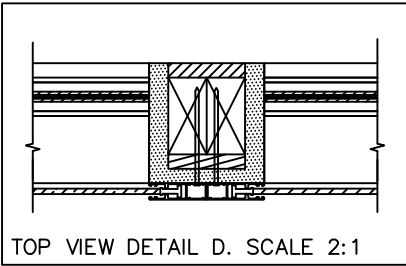
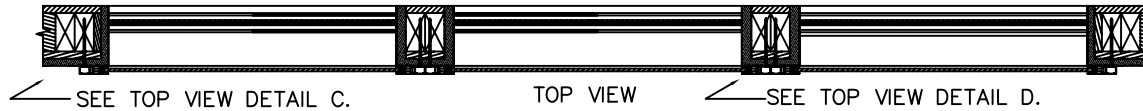
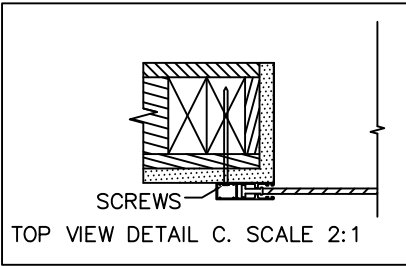
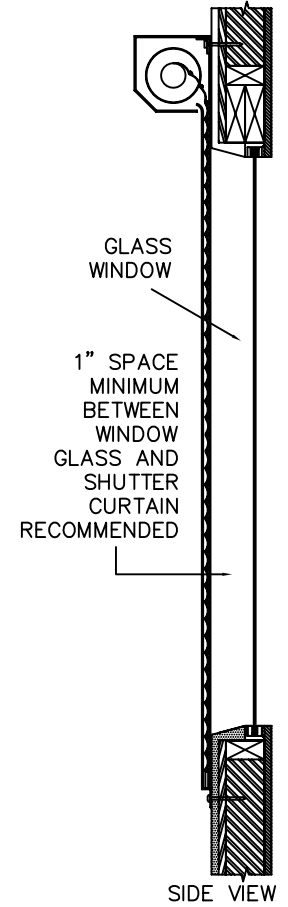


# CONSECUTIVE SINGLE UNITS, FLUSH WALL MOUNT, SINGLE BOX

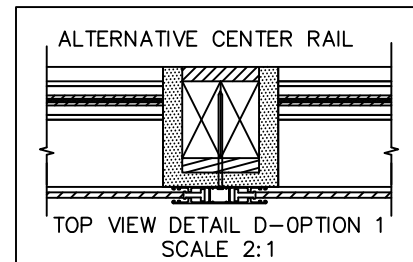
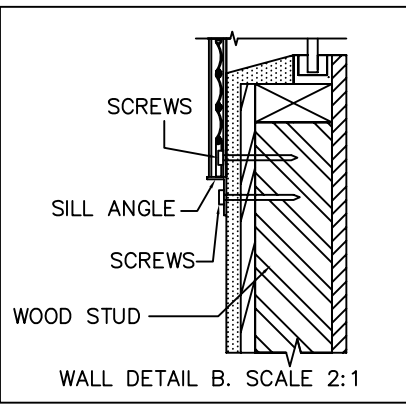
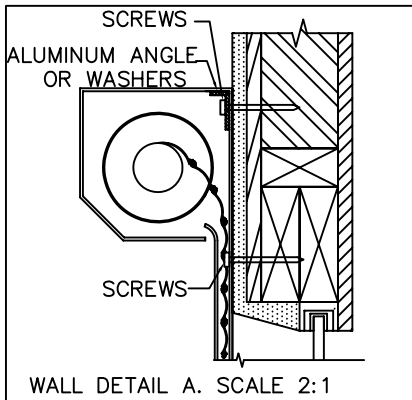
CONSECUTIVE UNITS CAN BE WALL MOUNTED FLUSH WITH THE FRONT OF THE WINDOW DIVIDERS.



SEE WALL DETAIL A



SEE WALL DETAIL B



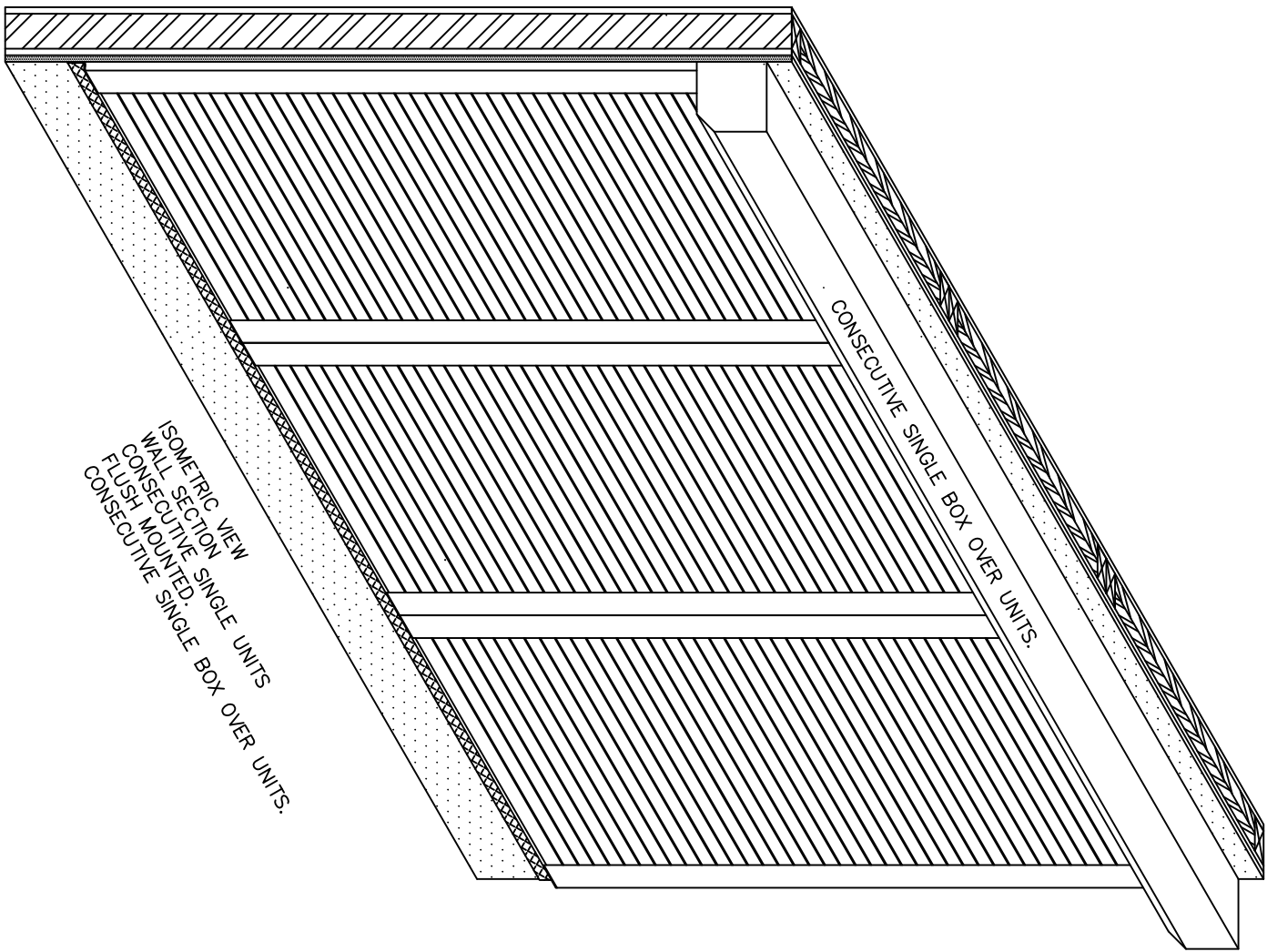
NOTE: HEIGHT AND WIDTH OF SHUTTER TO BE DETERMINED ON A PER INSTALLATION BASIS. CALL ROLLAC FOR MORE DETAILS.

NOTE: FOR INSTALLATION INSTRUCTIONS ON ROLLAC HURRICANE RATED SHUTTERS, PLEASE REFER TO THE ENGINEERING DOCUMENTS ON [WWW.ROLLAC.COM](http://WWW.ROLLAC.COM)

NOTE: LEED CONSTRUCTION MAY CALL FOR ADDITIONAL CONSIDERATIONS.



5331 W. Orange St.  
Pearland, Tx. 77581  
Tel: 281-485-0839  
[www.rollac.com](http://www.rollac.com)



ISOMETRIC VIEW  
WALL SECTION  
CONSECUTIVE SINGLE UNITS  
FLUSH MOUNTED.  
CONSECUTIVE SINGLE BOX OVER UNITS.

CONSECUTIVE SINGLE BOX OVER UNITS.



5331 W. Orange St.  
Pearland, Tx. 77581  
Tel: 281-485-0839  
www.rollac.com